

Time Switches

Models 5T, 15T, 12T and 24T

Murphy Time Switches can automatically start or stop engines or electrical motors after a predetermined time. These time switches can be wired for an open or closed circuit when time expires. They require no electrical current to operate and have an SPDT contact arrangement. These switches feature a precision movement that gives years of reliable service. The switches' precision movement can be set to zero anytime, and a built-in stop prevents overwinding.

Two versions are available: an hour switch for setting run time and shutdown of equipment; and a minute switch for short interruption of Switchgag[®] circuits on test or start up.

The **12T (12 hour)** and **24T (24 hour)** time switches are enclosed in a NEMA 4 weatherproof enclosure. A hinged, gasketed cover and 1/2 NPT conduit connection allow for a dust-tight installation. The enclosure includes a clasp and eye for a padlock to prevent unauthorized operation. Instructions for popular engine applications are secured inside of the lid.

The **5T (5 minute)** and **15T (15 minute)** timers mount directly in control panels for short range timing with manual reset.

These switches are perfect for disconnecting shutdown circuits while equipment is being started.

Murphy Time Switches are designed for use in the oil field, irrigation systems or anywhere equipment must operate or be controlled for a predetermined time. Mounted on a post or in a panel away from vibration and shock, these time switches give accurate, long-term service.



Specifications

Range:

12T: 0-12 hours in 15 minute intervals

24T: 0-24 hours in 30 minute intervals

5T: 0-5 minutes

15T: 0-15 minutes

Operating Temperature Range: 32° to 185°F (0° to 85°C)

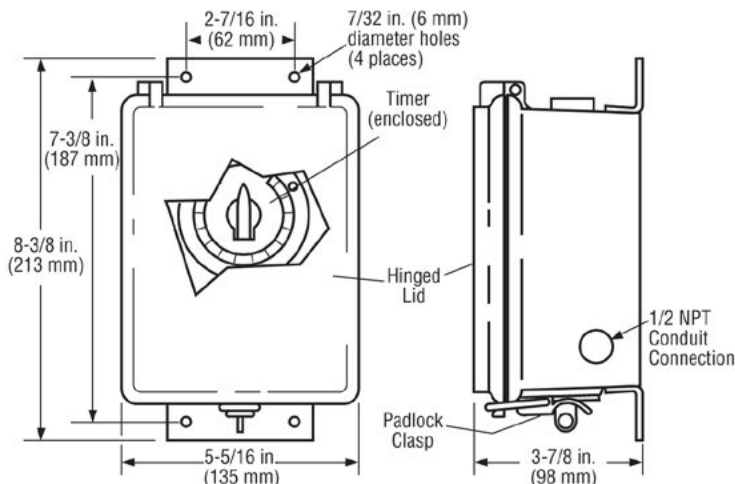
Contact (all models): SPDT, rated 5 A @ 480 VAC; 10 A @ 250 VAC; 15 A @ 48 VDC

Shipping Weight: 12T, 24T: 4 lbs. 12 oz. (2.15 kg); 5T and 15T: 6 oz. (11.66 g)

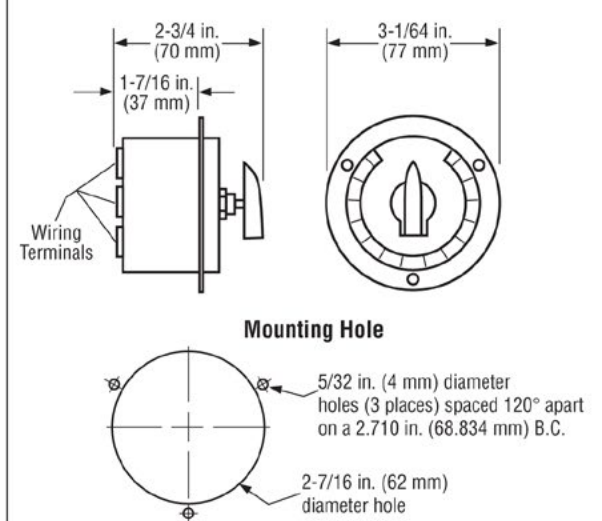
Shipping Dimensions: 12T, 24T: 9-1/4 x 8-1/4 x 5-1/2 in. (235 x 210 x 140 mm); 5T and 15T: 3 x 2-3/4 x 2-3/4 in. (76 x 70 x 70 mm)

Dimensions

12T and 24T 5TWP and 15TWP



5T and 15T



Typical Wiring

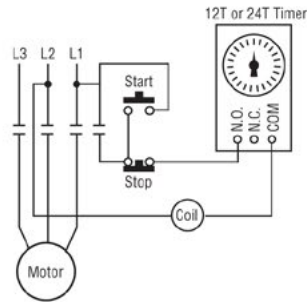


WARNING

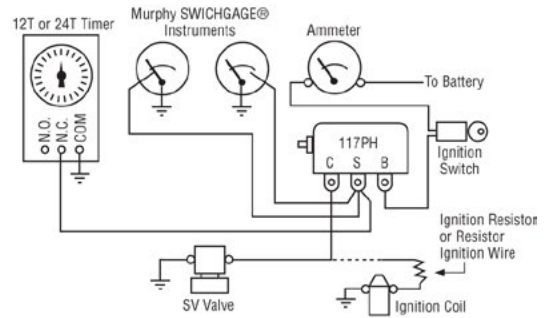
Before beginning installation of this Murphy product:

- ✓ Disconnect all electrical power to the machine.
- ✓ Make sure the machine cannot operate during installation.
- ✓ Follow all safety warnings of the machine manufacturer.
- ✓ Read and follow all installation instructions.

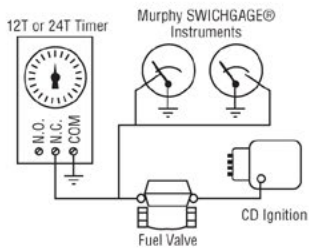
Electric Motor



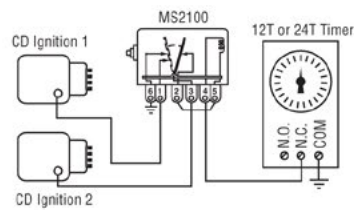
Diesel Engine



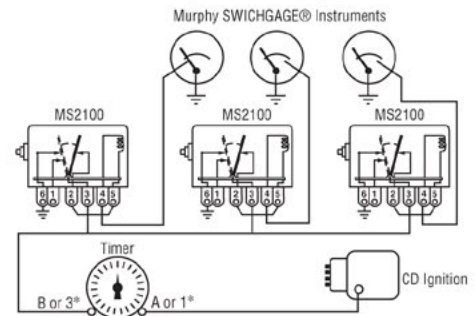
Fuel Valve and CD Ignition



Dual CD Ignition



SWICHGAGE® Circuit Disconnect (5T and 15T)



*Refer to Electrical diagrams on reverse side.

How to Order

Part Number	Model and Description	Notes
20700155	5T: 5 minute timer	Time switch
20700154	15T: 15 minute timer	
20700031	12T: 12 hour timer	
20700037	24T: 24 hour timer	
20000033	12T & 24T Repair Kit, case and lid assembly	Service